



# CONTOURA COUNTER SYSTEM

## Trapezoid Base Element-Adjustable Feet

Project Name: \_\_\_\_\_  
 Item: \_\_\_\_\_  
 Quantity: \_\_\_\_\_  
 Model: CS-TF-F  
 Length: \_\_\_\_\_

### DESCRIPTION:

Contoura is the progressive approach to counter design. Contoura is the innovative counter system that looks custom. Front panel material, finish and tray slide options are limited only to your imagination.

With technology-driven construction methods, it liberates you from the mundane details of counter construction, you are able to focus on the aesthetics and functional aspects — not construction techniques.

The designer can combine a series of bases, display components and buyout equipment to create meal centers. Configure, reconfigure and experiment with bold choices not boring details.

### GENERAL SPECIFICATIONS:

- 3/16" Powder Coated Steel
- 14 gauge galvanized engineered supports
- Inside shelves/liner 16 gauge 304 Stainless
- 3/4" Bender Board
- Sits on "curb" style base constructed of 14 gauge galvanized with 16 gauge 304 stainless exterior covering
- 3/4" Medium Density Fiber Board Front Panels with Standard Grade Plastic Laminate and 3/4" Square Type 304 Stainless Panel Supports

Brand \_\_\_\_\_  
 Color \_\_\_\_\_

- 3/4" Reveal Around Panel Top and Sides
- 3/4" Black Reveal between Base Frame and Top

### OPTIONS & ACCESSORIES:

- Swirl Finish on Stainless Top
- Solid Surface
- Non-Directional Matte Finish on Stainless Top
- 1-1/4" Maple Butcher Block
- 1-1/4" Commercial Grade Granite  
Color \_\_\_\_\_

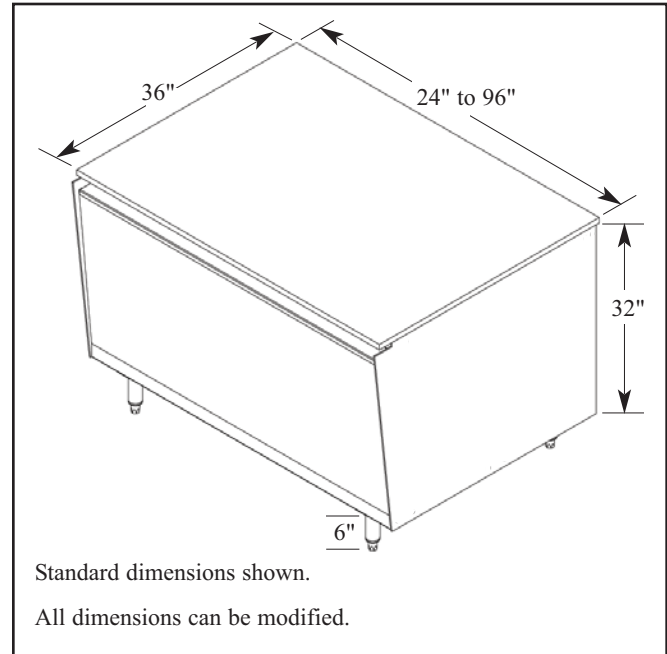
### Storage Solutions

- Shelves
- Drawers
- Front Plate Shelves

Tray Slide (Depth  10"  12")

- Extended Countertop
- Square Tubing
- Diamond Tubing
- 1" Round Tubing
- Fold Down

or  
 Custom Design (please specify) \_\_\_\_\_



### Exterior Panels

- Wood Veneer - Type \_\_\_\_\_
- Powder Coated Stainless - Color \_\_\_\_\_
- Stainless End Panels
- Decorative Embossed Metal  
Brand \_\_\_\_\_  
Model \_\_\_\_\_
- Laminate  
Brand \_\_\_\_\_  
Model \_\_\_\_\_
- Exotic Finish  
Brand \_\_\_\_\_  
Model \_\_\_\_\_

### Other

- 36" Overall Height (ADA Requires Optional Tray Rest)
- Concealed Casters
- Hinged Kick Plate on Front
  - Type 304 Brushed Stainless
  - Other

### \*Approval Drawings Required

