



Convex Base Element-Curb Style

Project Name: \_\_\_\_\_  
 Item: \_\_\_\_\_  
 Quantity: \_\_\_\_\_  
 Model: CS-CF-C  
 Length: \_\_\_\_\_

**DESCRIPTION:**

Contoura is the progressive approach to counter design. Contoura is the innovative counter system that looks custom. Front panel material, finish and tray slide options are limited only to your imagination.

With technology-driven construction methods, it liberates you from the mundane details of counter construction, you are able to focus on the aesthetics and functional aspects — not construction techniques.

The designer can combine a series of bases, display components and buyout equipment to create meal centers. Configure, reconfigure and experiment with bold choices not boring details.

**GENERAL SPECIFICATIONS:**

- ♦ 3/16" Powder Coated Steel Exterior Panels  
 Color \_\_\_\_\_
- ♦ 14 gauge galvanized engineered supports
- ♦ Inside shelves/liner 18 gauge 304 Stainless
- ♦ 3/4" Bender Board with Standard Grade Plastic Laminate  
 Brand \_\_\_\_\_  
 Color \_\_\_\_\_
- ♦ Sits on "curb" style base constructed of 14 gauge galvanized with 16 gauge 304 stainless exterior covering

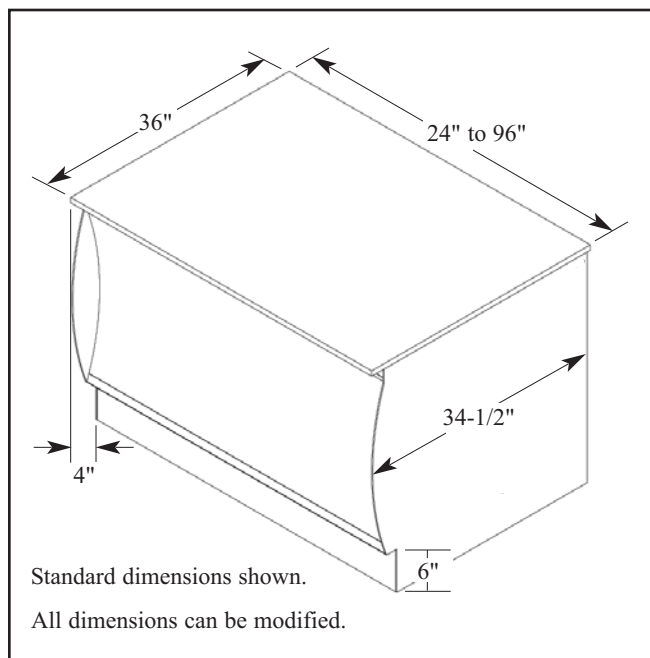
**OPTIONS & ACCESSORIES:**

- Swirl Finish on Stainless Top
- Solid Surface
- Non-Directional Matte Finish on Stainless Top
- 1-1/4" Maple Butcher Block
- 1-1/4" Commercial Grade Granite  
 Color \_\_\_\_\_
- 3/4" Reveal Around Panel Top and Sides
- 3/4" Black Reveal between Base Frame and Top

**Storage Solutions**

- Shelves
- Drawers
- Front Plate Shelves

- Tray Slide** (Depth  10"  12")
- Extended Countertop  Square Tubing
  - Diamond Tubing  1" Round Tubing
  - Fold Down  Inverted V-Shape
- or
- Custom Design (please specify) \_\_\_\_\_



**Exterior Panels**

- Wood Veneer - Type \_\_\_\_\_
- Powder Coated Stainless - Color \_\_\_\_\_
- Stainless End Panels
- Decorative Embossed Metal  
 Brand \_\_\_\_\_  
 Model \_\_\_\_\_
- Laminate  
 Brand \_\_\_\_\_  
 Model \_\_\_\_\_
- Exotic Finish  
 Brand \_\_\_\_\_  
 Model \_\_\_\_\_

**Other**

- 36" Overall Height (ADA Requires Optional Tray Rest)
- Concealed Casters
- Removable Kick Plate on Front
  - Type 304 Brushed Stainless
  - Other

**\*Approval Drawings Required**





Convex Base Element-Adjustable Feet

Project Name: \_\_\_\_\_  
 Item: \_\_\_\_\_  
 Quantity: \_\_\_\_\_  
 Model: CS-CF-F  
 Length: \_\_\_\_\_

**DESCRIPTION:**

Contoura is the progressive approach to counter design. Contoura is the innovative counter system that looks custom. Front panel material, finish and tray slide options are limited only to your imagination.

With technology-driven construction methods, it liberates you from the mundane details of counter construction, you are able to focus on the aesthetics and functional aspects — not construction techniques.

The designer can combine a series of bases, display components and buyout equipment to create meal centers. Configure, reconfigure and experiment with bold choices not boring details.

**GENERAL SPECIFICATIONS:**

- 3/16" Powder Coated Steel Exterior Panels  
 Color \_\_\_\_\_
- 14 gauge galvanized engineered supports
- Inside shelves/liner 18 gauge 304 Stainless
- 3/4" Bender Board with Standard Grade Plastic Laminate  
 Brand \_\_\_\_\_  
 Color \_\_\_\_\_
- Sits on "curb" style base constructed of 14 gauge galvanized with 16 gauge 304 stainless exterior covering

**OPTIONS & ACCESSORIES:**

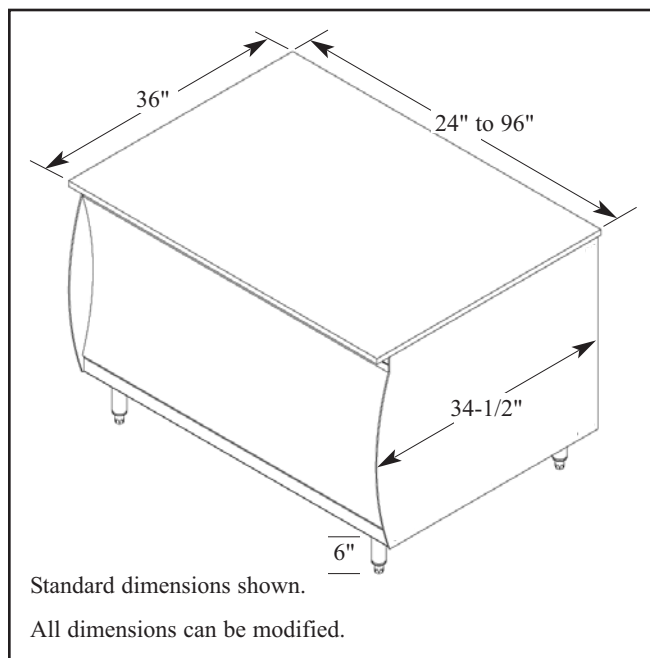
- Swirl Finish on Stainless Top
- Solid Surface
- Non-Directional Matte Finish on Stainless Top
- 1-1/4" Maple Butcher Block
- 1-1/4" Commercial Grade Granite  
 Color \_\_\_\_\_
- 3/4" Reveal Around Panel Top and Sides
- 3/4" Black Reveal between Base Frame and Top

**Storage Solutions**

- Shelves
- Drawers
- Front Plate Shelves

**Tray Slide**

- (Depth  10"  12")
- Extended Countertop  Square Tubing
  - Diamond Tubing  1" Round Tubing
  - Fold Down  Inverted V-Shape
- or
- Custom Design (please specify) \_\_\_\_\_



**Exterior Panels**

- Wood Veneer - Type \_\_\_\_\_
- Powder Coated Stainless - Color \_\_\_\_\_
- Stainless End Panels
- Decorative Embossed Metal  
 Brand \_\_\_\_\_  
 Model \_\_\_\_\_
- Laminate  
 Brand \_\_\_\_\_  
 Model \_\_\_\_\_
- Exotic Finish  
 Brand \_\_\_\_\_  
 Model \_\_\_\_\_

**Other**

- 36" Overall Height (ADA Requires Optional Tray Rest)
- Concealed Casters
- Removable Kick Plate on Front
  - Type 304 Brushed Stainless
  - Other

**\*Approval Drawings Required**





Square Base Element-Curb Style

Project Name: \_\_\_\_\_  
 Item: \_\_\_\_\_  
 Quantity: \_\_\_\_\_  
 Model: CS-SF-C  
 Length: \_\_\_\_\_

**DESCRIPTION:**

Contoura is the progressive approach to counter design. Contoura is the innovative counter system that looks custom. Front panel material, finish and tray slide options are limited only to your imagination.

With technology-driven construction methods, it liberates you from the mundane details of counter construction, you are able to focus on the aesthetics and functional aspects — not construction techniques.

The designer can combine a series of bases, display components and buyout equipment to create meal centers. Configure, reconfigure and experiment with bold choices not boring details.

**GENERAL SPECIFICATIONS:**

- 3/16" Powder Coated Steel Exterior Panels  
 Color \_\_\_\_\_
- 14 gauge galvanized engineered supports
- Inside shelves/liner 18 gauge 304 Stainless
- Sits on "curb" style base constructed of 14 gauge galvanized with 16 gauge 304 stainless exterior covering
- 3/4" Medium Density Fiber Board Front Panels with Standard Grade Plastic Laminate and 3/4" Square Type 304 Stainless Panel Supports  
 Brand \_\_\_\_\_  
 Color \_\_\_\_\_

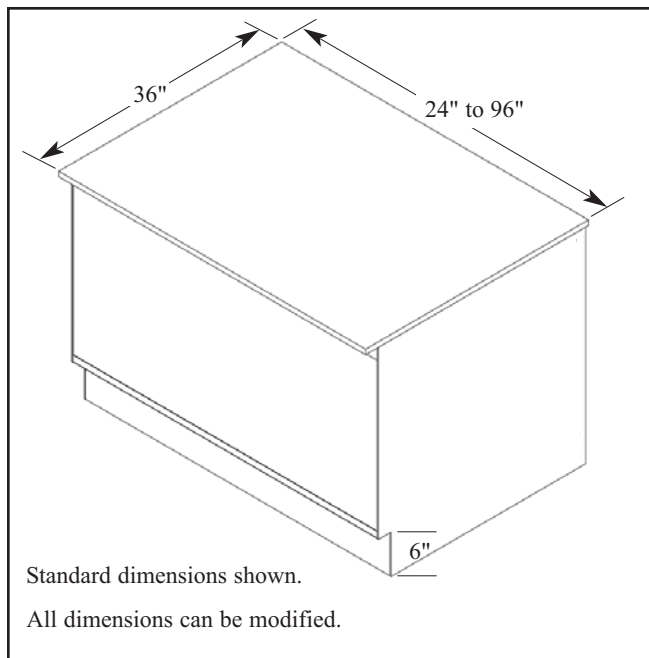
**OPTIONS & ACCESSORIES:**

- Swirl Finish on Stainless Top
- Solid Surface
- Non-Directional Matte Finish on Stainless Top
- 1-1/4" Maple Butcher Block
- 1-1/4" Commercial Grade Granite  
 Color \_\_\_\_\_
- 3/4" Reveal Around Panel Top and Sides
- 3/4" Black Reveal between Base Frame and Top

**Storage Solutions**

- Shelves
- Drawers
- Front Plate Shelves

- Tray Slide** (Depth  10"  12")
- Extended Countertop  Square Tubing
  - Diamond Tubing  1" Round Tubing
  - Fold Down  Inverted V-Shape
- or
- Custom Design (please specify) \_\_\_\_\_



**Exterior Panels**

- Wood Veneer - Type \_\_\_\_\_
- Powder Coated Stainless - Color \_\_\_\_\_
- Stainless End Panels
- Decorative Embossed Metal  
 Brand \_\_\_\_\_  
 Model \_\_\_\_\_
- Laminate  
 Brand \_\_\_\_\_  
 Model \_\_\_\_\_
- Exotic Finish  
 Brand \_\_\_\_\_  
 Model \_\_\_\_\_

**Other**

- 36" Overall Height (ADA Requires Optional Tray Rest)
- Concealed Casters
- Removable Kick Plate on Front
  - Type 304 Brushed Stainless
  - Other

**\*Approval Drawings Required**





Square Base Element-Adjustable Feet

Project Name: \_\_\_\_\_  
 Item: \_\_\_\_\_  
 Quantity: \_\_\_\_\_  
 Model: CS-SF-F  
 Length: \_\_\_\_\_

**DESCRIPTION:**

Contoura is the progressive approach to counter design. Contoura is the innovative counter system that looks custom. Front panel material, finish and tray slide options are limited only to your imagination.

With technology-driven construction methods, it liberates you from the mundane details of counter construction, you are able to focus on the aesthetics and functional aspects — not construction techniques.

The designer can combine a series of bases, display components and buyout equipment to create meal centers. Configure, reconfigure and experiment with bold choices not boring details.

**GENERAL SPECIFICATIONS:**

- 3/16" Powder Coated Steel Exterior Panels  
 Color \_\_\_\_\_
- 14 gauge galvanized engineered supports
- Inside shelves/liner 18 gauge 304 Stainless
- Sits on "curb" style base constructed of 14 gauge galvanized with 16 gauge 304 stainless exterior covering
- 3/4" Medium Density Fiber Board Front Panels with Standard Grade Plastic Laminate and 3/4" Square Type 304 Stainless Panel Supports  
 Brand \_\_\_\_\_  
 Color \_\_\_\_\_

**OPTIONS & ACCESSORIES:**

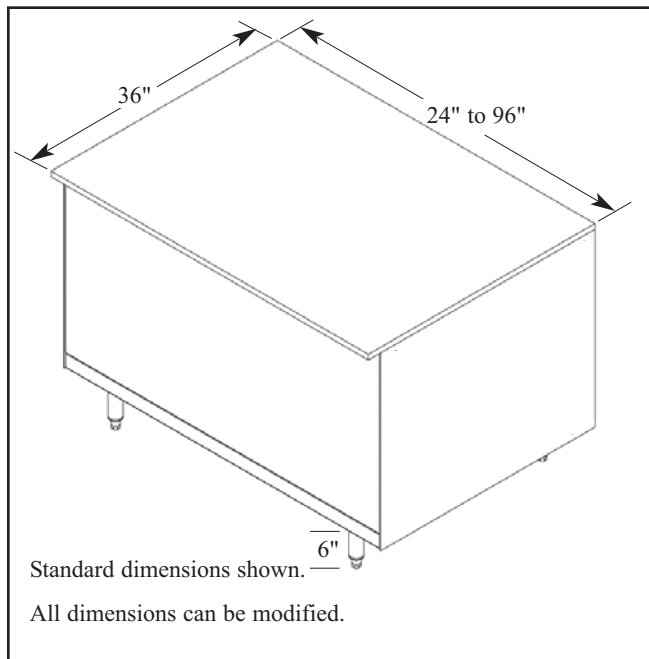
- Swirl Finish on Stainless Top
- Solid Surface
- Non-Directional Matte Finish on Stainless Top
- 1-1/4" Maple Butcher Block
- 1-1/4" Commercial Grade Granite  
 Color \_\_\_\_\_
- 3/4" Reveal Around Panel Top and Sides
- 3/4" Black Reveal between Base Frame and Top

**Storage Solutions**

- Shelves
- Drawers
- Front Plate Shelves

**Tray Slide**

- (Depth  10"  12")
- Extended Countertop  Square Tubing
  - Diamond Tubing  1" Round Tubing
  - Fold Down  Inverted V-Shape
- or
- Custom Design (please specify) \_\_\_\_\_



**Exterior Panels**

- Wood Veneer - Type \_\_\_\_\_
- Powder Coated Stainless - Color \_\_\_\_\_
- Stainless End Panels
- Decorative Embossed Metal  
 Brand \_\_\_\_\_  
 Model \_\_\_\_\_
- Laminate  
 Brand \_\_\_\_\_  
 Model \_\_\_\_\_
- Exotic Finish  
 Brand \_\_\_\_\_  
 Model \_\_\_\_\_

**Other**

- 36" Overall Height (ADA Requires Optional Tray Rest)
- Concealed Casters
- Removable Kick Plate on Front
  - Type 304 Brushed Stainless
  - Other

**\*Approval Drawings Required**





Trapezoid Base Element-Curb Style

Project Name: \_\_\_\_\_  
 Item: \_\_\_\_\_  
 Quantity: \_\_\_\_\_  
 Model: CS-TF-C  
 Length: \_\_\_\_\_

**DESCRIPTION:**

Contoura is the progressive approach to counter design. Contoura is the innovative counter system that looks custom. Front panel material, finish and tray slide options are limited only to your imagination.

With technology-driven construction methods, it liberates you from the mundane details of counter construction, you are able to focus on the aesthetics and functional aspects — not construction techniques.

The designer can combine a series of bases, display components and buyout equipment to create meal centers. Configure, reconfigure and experiment with bold choices not boring details.

**GENERAL SPECIFICATIONS:**

- 3/16" Powder Coated Steel Exterior Panels  
 Color \_\_\_\_\_
- 14 gauge galvanized engineered supports
- Inside shelves/liner 18 gauge 304 Stainless
- Sits on "curb" style base constructed of 14 gauge galvanized with 16 gauge 304 stainless exterior covering
- 3/4" Medium Density Fiber Board Front Panels with Standard Grade Plastic Laminate and 3/4" Square Type 304 Stainless Panel Supports  
 Brand \_\_\_\_\_  
 Color \_\_\_\_\_

**OPTIONS & ACCESSORIES:**

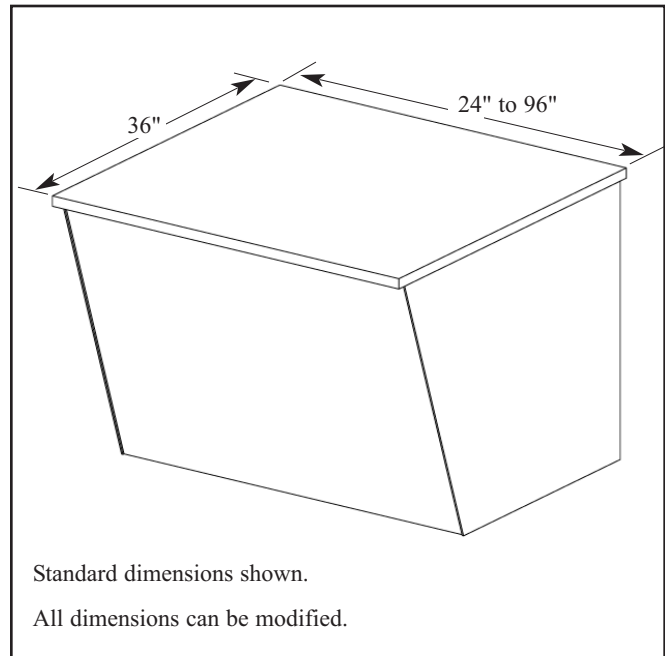
- Swirl Finish on Stainless Top
- Solid Surface
- Non-Directional Matte Finish on Stainless Top
- 1-1/4" Maple Butcher Block
- 1-1/4" Commercial Grade Granite  
 Color \_\_\_\_\_
- 3/4" Reveal Around Panel Top and Sides
- 3/4" Black Reveal between Base Frame and Top

**Storage Solutions**

- Shelves
- Drawers
- Front Plate Shelves

**Tray Slide**

- (Depth  10"  12")
- Extended Countertop  Square Tubing
  - Diamond Tubing  1" Round Tubing
  - Fold Down  Inverted V-Shape
- or
- Custom Design (please specify) \_\_\_\_\_



**Exterior Panels**

- Wood Veneer - Type \_\_\_\_\_
- Powder Coated Stainless - Color \_\_\_\_\_
- Stainless End Panels
- Decorative Embossed Metal  
 Brand \_\_\_\_\_  
 Model \_\_\_\_\_
- Laminate  
 Brand \_\_\_\_\_  
 Model \_\_\_\_\_
- Exotic Finish  
 Brand \_\_\_\_\_  
 Model \_\_\_\_\_

**Other**

- 36" Overall Height (ADA Requires Optional Tray Rest)
- Concealed Casters
- Removable Kick Plate on Front
  - Type 304 Brushed Stainless
  - Other

**\*Approval Drawings Required**





Trapezoid Base Element-Adjustable Feet

Project Name: \_\_\_\_\_  
 Item: \_\_\_\_\_  
 Quantity: \_\_\_\_\_  
 Model: CS-TF-F  
 Length: \_\_\_\_\_

**DESCRIPTION:**

Contoura is the progressive approach to counter design. Contoura is the innovative counter system that looks custom. Front panel material, finish and tray slide options are limited only to your imagination.

With technology-driven construction methods, it liberates you from the mundane details of counter construction, you are able to focus on the aesthetics and functional aspects — not construction techniques.

The designer can combine a series of bases, display components and buyout equipment to create meal centers. Configure, reconfigure and experiment with bold choices not boring details.

**GENERAL SPECIFICATIONS:**

- 3/16" Powder Coated Steel Exterior Panels  
 Color \_\_\_\_\_
- 14 gauge galvanized engineered supports
- Inside shelves/liner 18 gauge 304 Stainless
- Sits on "curb" style base constructed of 14 gauge galvanized with 16 gauge 304 stainless exterior covering
- 3/4" Medium Density Fiber Board Front Panels with Standard Grade Plastic Laminate and 3/4" Square Type 304 Stainless Panel Supports  
 Brand \_\_\_\_\_  
 Color \_\_\_\_\_

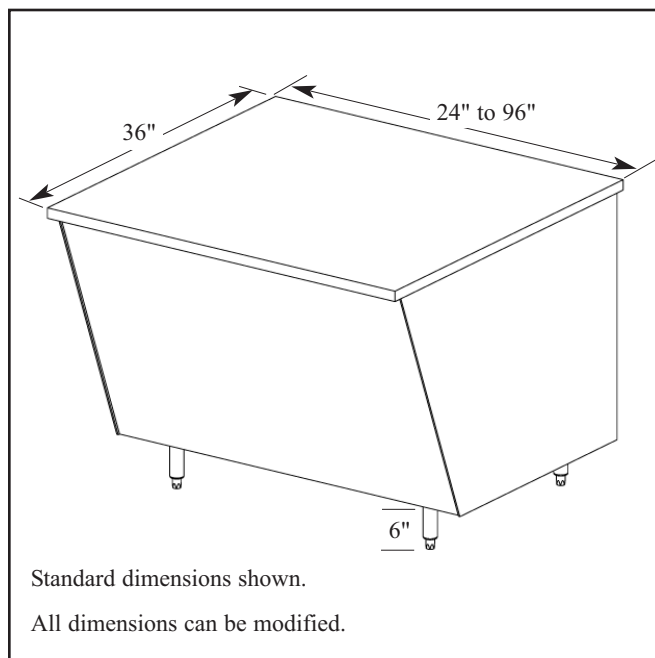
**OPTIONS & ACCESSORIES:**

- Swirl Finish on Stainless Top
- Solid Surface
- Non-Directional Matte Finish on Stainless Top
- 1-1/4" Maple Butcher Block
- 1-1/4" Commercial Grade Granite  
 Color \_\_\_\_\_
- 3/4" Reveal Around Panel Top and Sides
- 3/4" Black Reveal between Base Frame and Top

**Storage Solutions**

- Shelves
- Drawers
- Front Plate Shelves

- Tray Slide** (Depth  10"  12")
- Extended Countertop  Square Tubing
  - Diamond Tubing  1" Round Tubing
  - Fold Down  Inverted V-Shape
- or
- Custom Design (please specify) \_\_\_\_\_



**Exterior Panels**

- Wood Veneer - Type \_\_\_\_\_
- Powder Coated Stainless - Color \_\_\_\_\_
- Stainless End Panels
- Decorative Embossed Metal  
 Brand \_\_\_\_\_  
 Model \_\_\_\_\_
- Laminate  
 Brand \_\_\_\_\_  
 Model \_\_\_\_\_
- Exotic Finish  
 Brand \_\_\_\_\_  
 Model \_\_\_\_\_

**Other**

- 36" Overall Height (ADA Requires Optional Tray Rest)
- Concealed Casters
- Removable Kick Plate on Front
  - Type 304 Brushed Stainless
  - Other

**\*Approval Drawings Required**





Design your own Base Element

Project Name: \_\_\_\_\_  
 Item: \_\_\_\_\_  
 Quantity: \_\_\_\_\_  
 Model: \_\_\_\_\_  
 Length: \_\_\_\_\_

**DESCRIPTION:**

Contoura is the progressive approach to counter design. Contoura is the innovative counter system that looks custom. Front panel material, finish and tray slide options are limited only to your imagination.

With technology-driven construction methods, it liberates you from the mundane details of counter construction, you are able to focus on the aesthetics and functional aspects — not construction techniques.

The designer can combine a series of bases, display components and buyout equipment to create meal centers. Configure, reconfigure and experiment with bold choices not boring details.

**GENERAL SPECIFICATIONS:**

- 3/16" Powder Coated Steel Exterior Panels  
 Color \_\_\_\_\_
- 14 gauge galvanized engineered supports
- Inside shelves/liner 18 gauge 304 Stainless
- Sits on “curb” style base constructed of 14 gauge galvanized with 16 gauge 304 stainless exterior covering

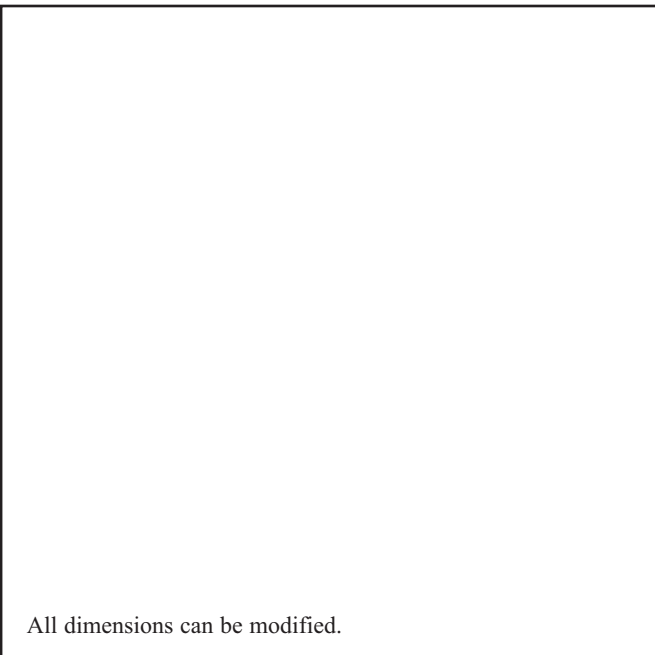
**OPTIONS & ACCESSORIES:**

- 3/4" Medium Density Fiber Board Front Panels with Standard Grade Plastic Laminate and 3/4" Square Type 304 Stainless Panel Supports  
 Brand \_\_\_\_\_  
 Color \_\_\_\_\_
- 3/4" Bender Board with Standard Grade Plastic Laminate  
 Brand \_\_\_\_\_  
 Color \_\_\_\_\_
- Swirl Finish on Stainless Top
- Solid Surface
- Non-Directional Matte Finish on Stainless Top
- 1-1/4" Maple Butcher Block
- 1-1/4" Commercial Grade Granite  
 Color \_\_\_\_\_
- 3/4" Reveal Around Panel Top and Sides
- 3/4" Black Reveal between Base Frame and Top

**Storage Solutions**

- Shelves
- Drawers
- Front Plate Shelves

- Tray Slide** (Depth  10"  12")
- Extended Countertop  Square Tubing
  - Diamond Tubing  1" Round Tubing
  - Fold Down  Inverted V-Shape
- or
- Custom Design (please specify) \_\_\_\_\_



**Exterior Panels**

- Wood Veneer - Type \_\_\_\_\_
- Powder Coated Stainless - Color \_\_\_\_\_
- Stainless End Panels
- Decorative Embossed Metal  
 Brand \_\_\_\_\_  
 Model \_\_\_\_\_
- Laminate  
 Brand \_\_\_\_\_  
 Model \_\_\_\_\_
- Exotic Finish  
 Brand \_\_\_\_\_  
 Model \_\_\_\_\_

**Other**

- 36" Overall Height (ADA Requires Optional Tray Rest)
- Concealed Casters
- Removable Kick Plate on Front
  - Type 304 Brushed Stainless
  - Other

**\*Approval Drawings Required**



Transition Units - 45°

Project Name: \_\_\_\_\_  
 Item: \_\_\_\_\_  
 Quantity: \_\_\_\_\_  
 Model: \_\_\_\_\_  
 Length: \_\_\_\_\_

CURB STYLE

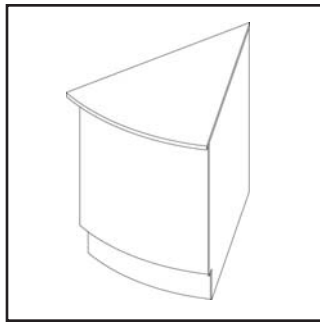
**GENERAL SPECIFICATIONS:**

- 18 Gauge Type 304 Exterior Body Panels and Shelves
- 20 Gauge Type 304 Stainless Top Enclosure
- Sits on “curb” style base constructed of 14 gauge galvanized with 16 gauge 304 stainless exterior covering

**OPTIONS & ACCESSORIES:**

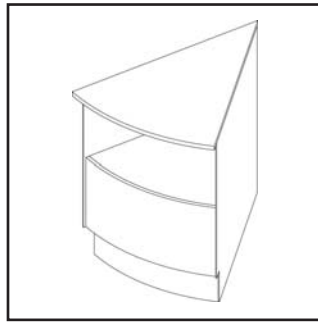
- 4" casters

**Closed Transition Cabinet 45°**



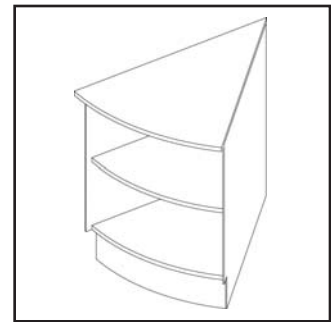
CS-450-C

**Partial Open Transition Cabinet 45°**



CS-451-C

**Open Transition Cabinet 45°**



CS-452-C

ADJUSTABLE FEET

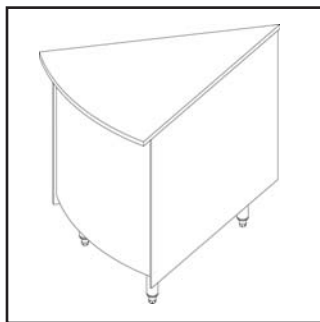
**GENERAL SPECIFICATIONS:**

- 18 Gauge Type 304 Exterior Body Panels and Shelves
- 20 Gauge Type 304 Stainless Top Enclosure
- Sits on 3 each 6" adjustable feet

**OPTIONS & ACCESSORIES:**

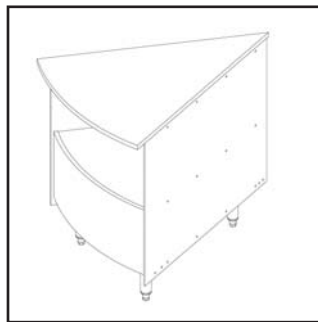
- 4" casters

**Closed Transition Cabinet 45°**



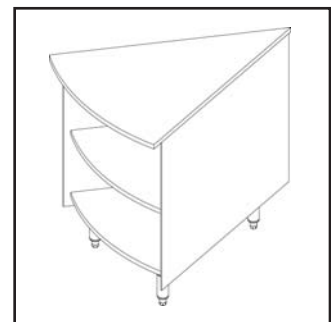
CS-450-F

**Partial Open Transition Cabinet 45°**



CS-451-F

**Open Transition Cabinet 45°**



CS-452-F





Transition Units - 90°

Project Name: \_\_\_\_\_  
 Item: \_\_\_\_\_  
 Quantity: \_\_\_\_\_  
 Model: \_\_\_\_\_  
 Length: \_\_\_\_\_

CURB STYLE

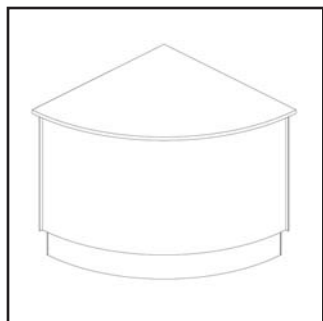
**GENERAL SPECIFICATIONS:**

- 18 Gauge Type 304 Exterior Body Panels and Shelves
- 20 Gauge Type 304 Stainless Top Enclosure
- Sits on “curb” style base constructed of 14 gauge galvanized with 16 gauge 304 stainless exterior covering

**OPTIONS & ACCESSORIES:**

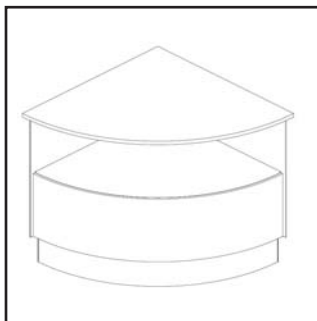
- 4" casters

**Closed Transition Cabinet 90°**



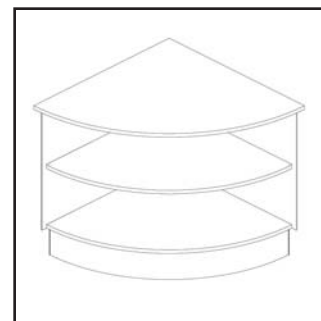
CS-900-C

**Partial Open Transition Cabinet 90°**



CS-901-C

**Open Transition Cabinet 90°**



CS-902-C

ADJUSTABLE FEET

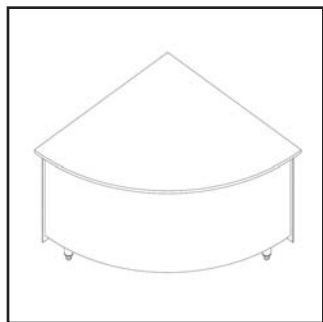
**GENERAL SPECIFICATIONS:**

- 18 Gauge Type 304 Exterior Body Panels and Shelves
- 20 Gauge Type 304 Stainless Top Enclosure
- Sits on 3 each 6" adjustable feet

**OPTIONS & ACCESSORIES:**

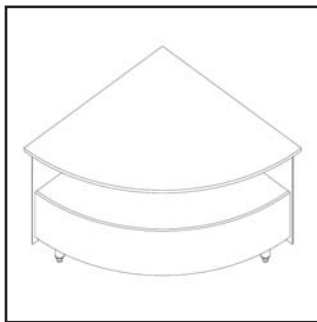
- 4" casters

**Closed Transition Cabinet 90°**



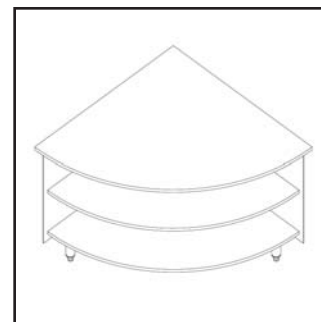
CS-900-F

**Partial Open Transition Cabinet 90°**



CS-901-F

**Open Transition Cabinet 90°**



CS-902-F



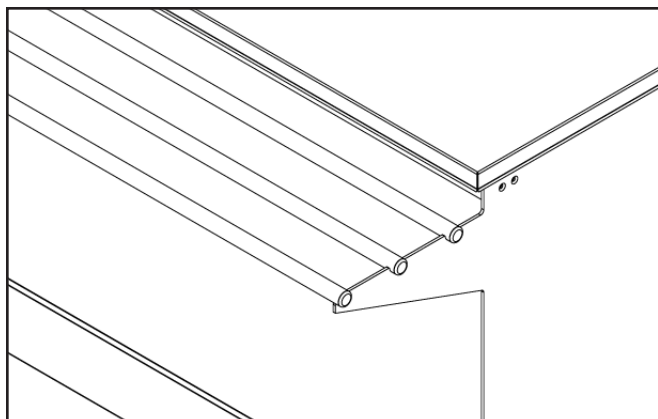
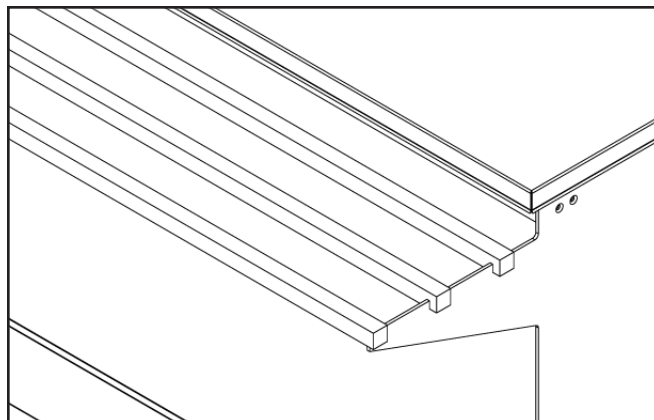


Tray Slide Options

**SQUARE TUBE RAIL**

**GENERAL SPECIFICATIONS:**

- 1"x1" Square Tubing
- 16 Gauge Stainless Steel
- Length Sized to Specification (24" minimum)



**ROUND TUBE RAIL:**

**GENERAL SPECIFICATIONS:**

- 16 Gauge Stainless Steel
- 1" diameter Round
- Length Sized to Specification (24" minimum)

**INVERTED V-SHAPE RAIL:**

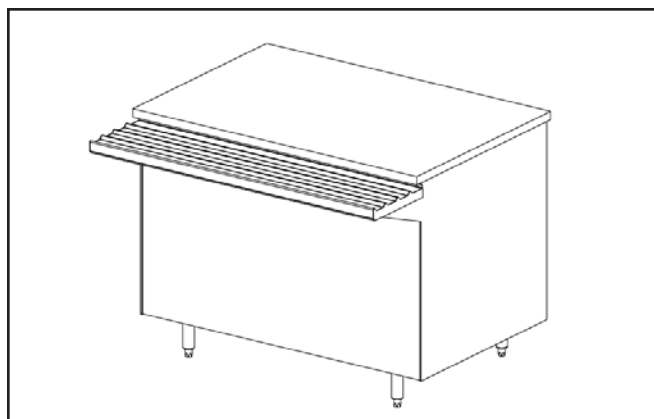
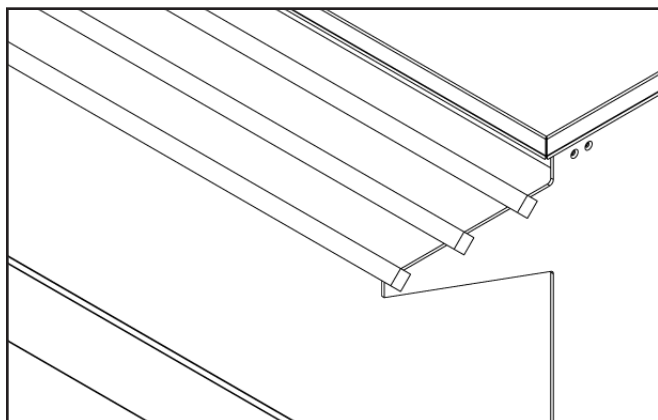
**GENERAL SPECIFICATIONS:**

- 14 Gauge Stainless Steel
- Length Sized to Specification (24" minimum)

**DIAMOND TUBE RAIL:**

**GENERAL SPECIFICATIONS:**

- 1"x1" Square Tubing
- 16 Gauge Stainless Steel
- Length Sized to Specification (24" minimum)





**Project Name:** \_\_\_\_\_  
**Item:** \_\_\_\_\_  
**Quantity:** \_\_\_\_\_  
**Model:** CS-CC  
**Length:** \_\_\_\_\_

**GENERAL SPECIFICATIONS:**

- 3/16" Powder Coated Steel Exterior Panels  
     Color \_\_\_\_\_
- 14 gauge galvanized engineered supports
- Inside shelves/liner 18 gauge 304 Stainless
- Sits on 5" casters
- ZSpace Post and Rail System (26" centerline)
- 2 Stainless Steel (size?) center cut shelves (Includes 2 plastic inserts from www.?.com)
- Post and Rail System are Standard Aluminum
- Posts mounted to bottom interior of cart (25" x 22" usable space).
- Maximum post height from floor is 84".

**OPTIONS & ACCESSORIES:**

**Front Exterior**

- 3/4" Medium Density Fiber Board Front Panels with Standard Grade Plastic Laminate and 3/4" Square Type 304 Stainless Panel Supports  
     Brand \_\_\_\_\_  
     Color \_\_\_\_\_
- Stainless Steel
  - Swirl Finish on Stainless
  - Non-Directional Matte Finish on Stainless

**Other**

- Kick Plate
  - Type 304 Brushed Stainless
  - Type 304 Brushed Stainless with Black Plastic Laminate on Customer's Side

**Post and Rail Sign System**

- Standard Brushed Aluminum
- Powder Coated (Color \_\_\_\_\_)

**Stainless Steel Shelves**

**Finish**

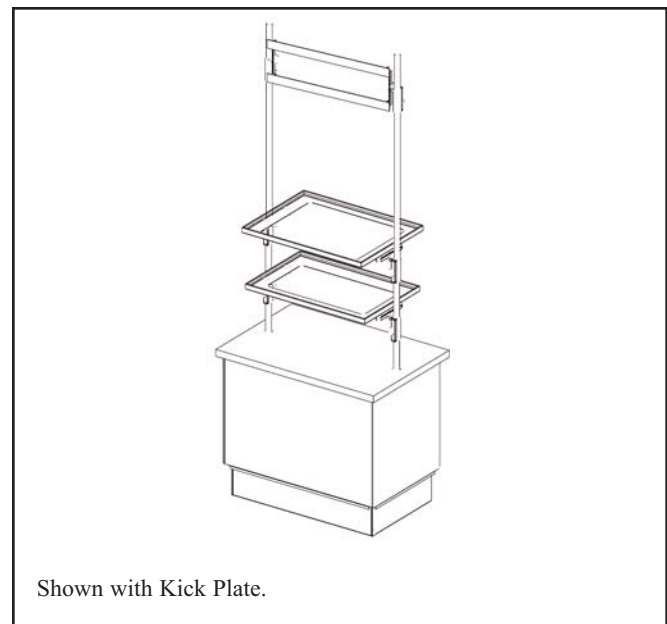
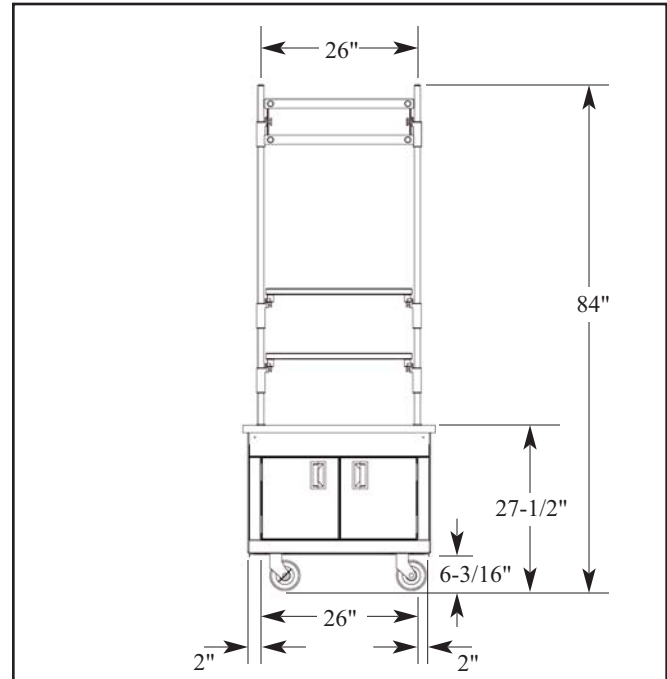
- Standard Satin Stainless Steel Finish
- Powder Coated (Color \_\_\_\_\_)

**Cut Out**

- Standard (Size?)
- Custom Size (\_\_\_\_\_)

**Inserts**

- Order Information?



**\*Approval Drawings Required**



**Top**

- Solid Surface
  - Zodiac
  - Avonite
  - Other \_\_\_\_\_
  - Granite
  - Corian
- Stainless Steel
  - Swirl Finish on Stainless Top
  - Non-Directional Matte Finish on Stainless Top
- 1-1/4" Maple Butcher Block

**Side Panels**

- Wood Veneer - Type \_\_\_\_\_
- Powder Coated Steel - Color \_\_\_\_\_
- Decorative Embossed Metal
  - Brand \_\_\_\_\_
  - Model \_\_\_\_\_
- Laminate
  - Brand \_\_\_\_\_
  - Model \_\_\_\_\_
- Exotic Finish
  - Brand \_\_\_\_\_
  - Model \_\_\_\_\_