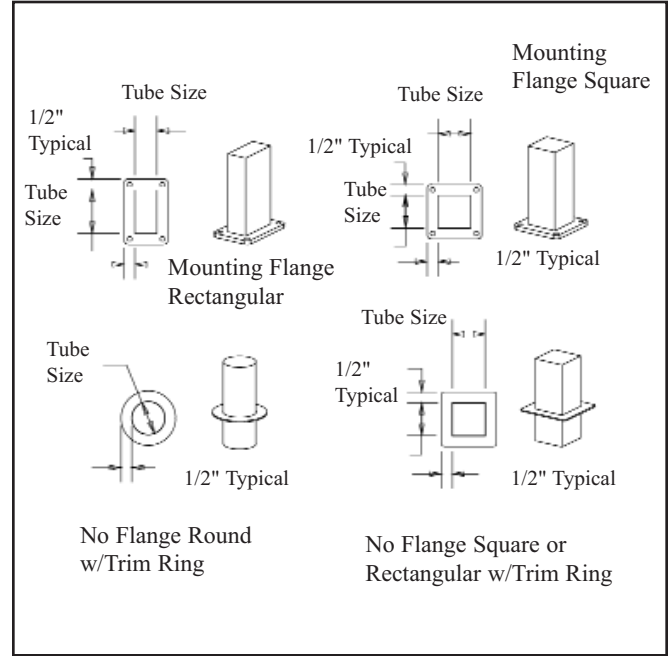
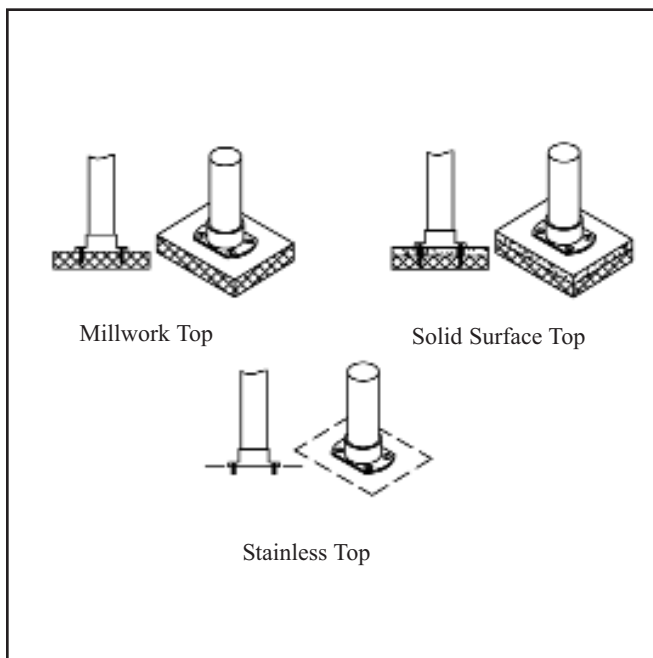


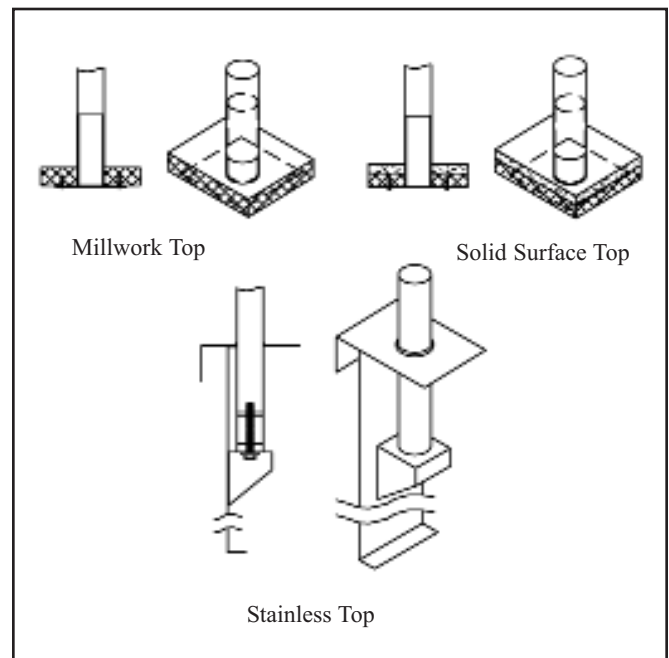
**Mounting Flanges**



**Mounting Flanges**



**Mounting Details - Above Counter**



**Mounting Details - Below Counter**