

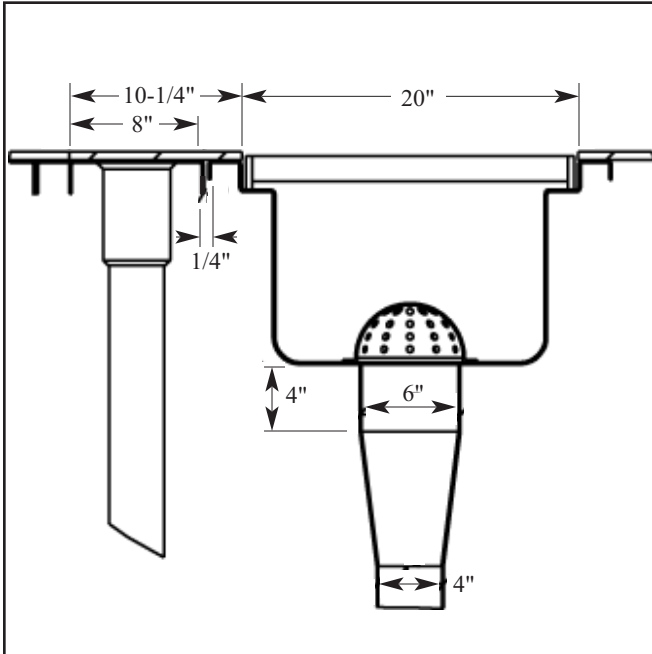
Accessories & Details

Project Name: _____

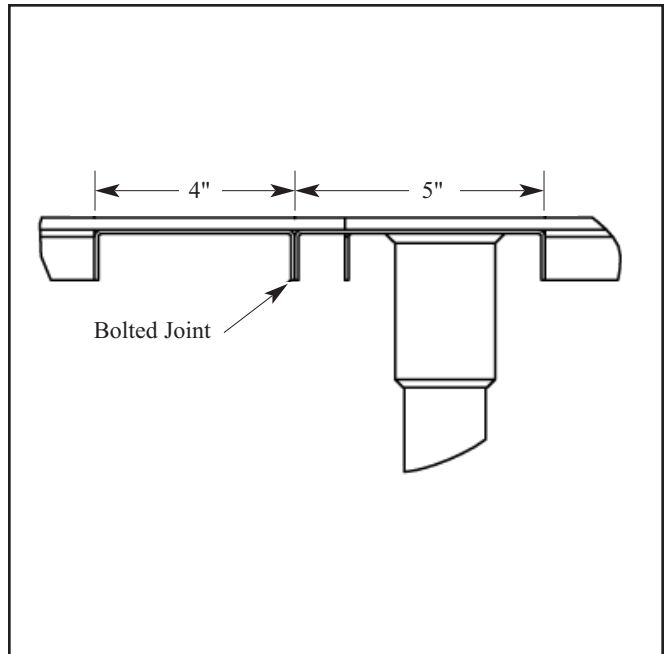
Item: _____

Quantity: _____

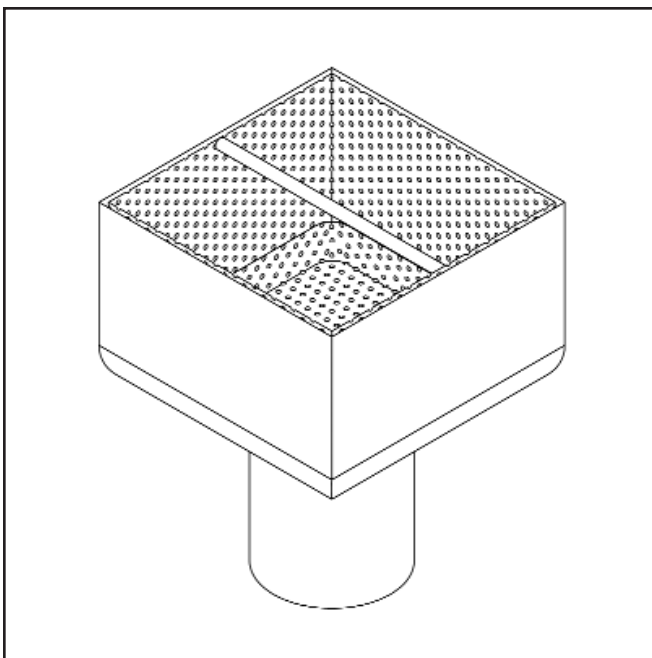
Model: _____



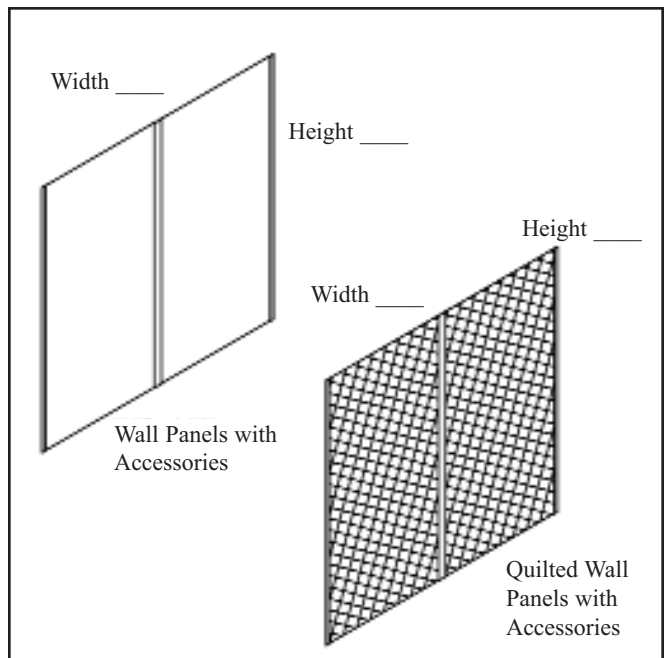
Integral Drain Trough with Pre-piped Drain



Field Joint



Heavy-Duty Removable Sump Drain



Wall Panels - A Regular, B Quilted



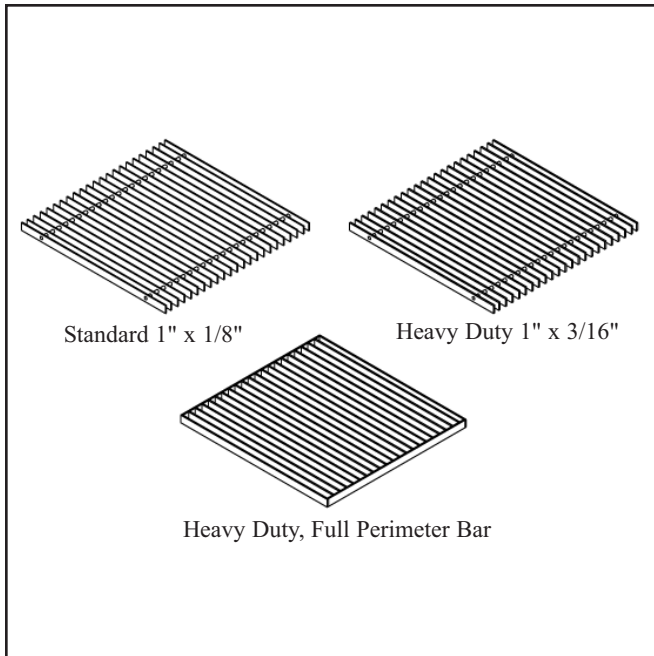
Accessories & Details

Project Name: _____

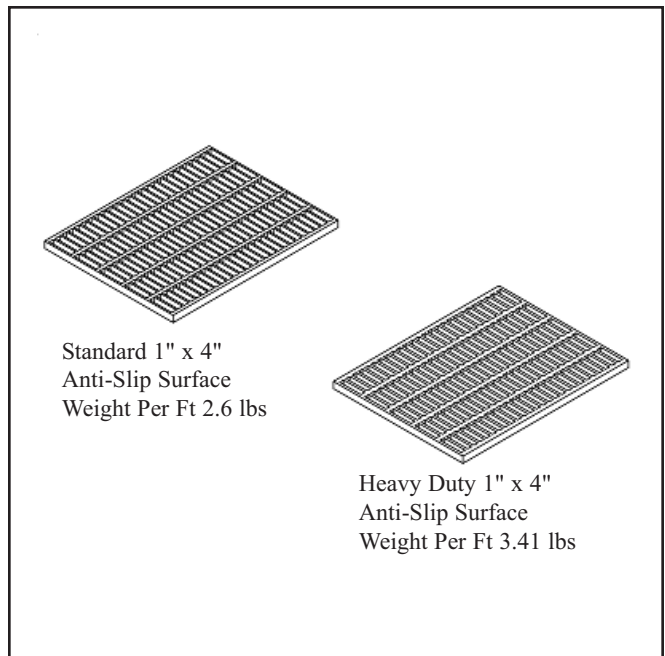
Item: _____

Quantity: _____

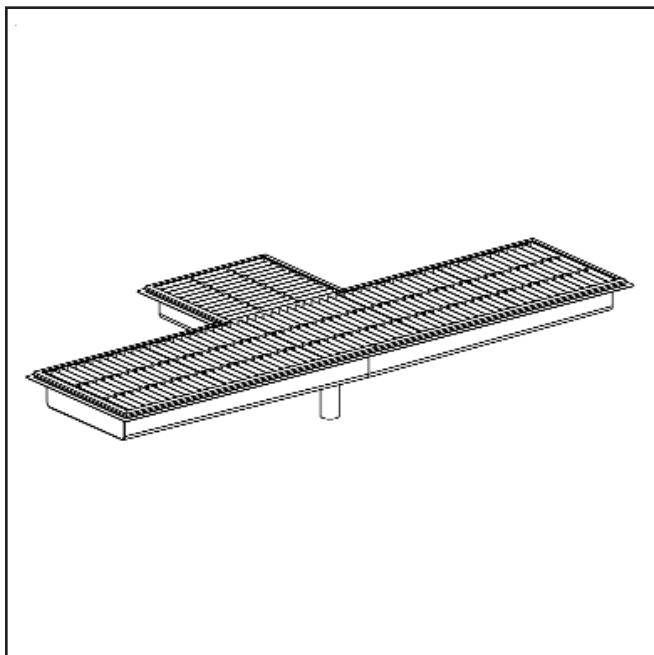
Model: _____



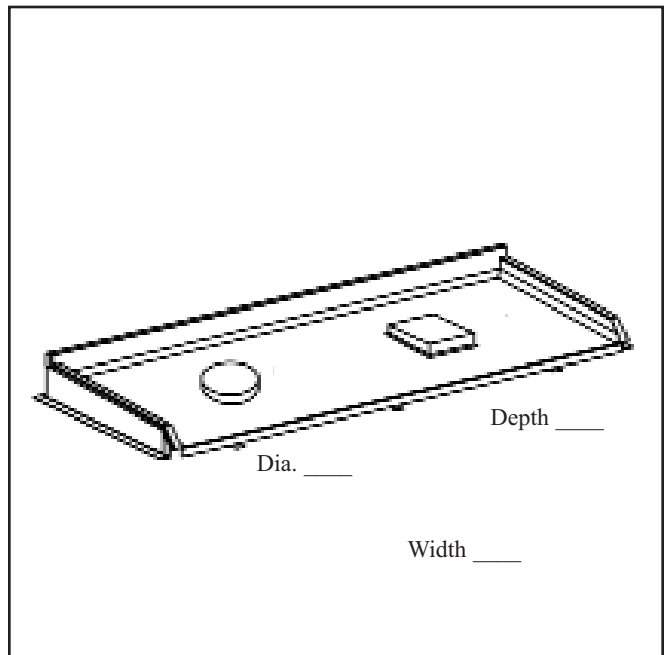
Subway Grating



Anti-Slip Fiberglass Grating



Expanded Pour Zone



Raised Mounting Plyths



TROUGHS

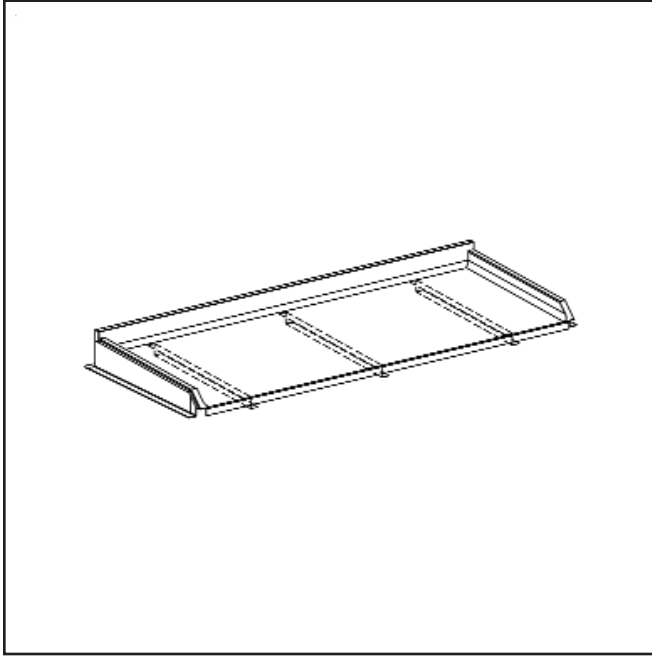
Accessories & Details

Project Name: _____

Item: _____

Quantity: _____

Model: _____



Drain Pan

