

# DRAIN TECH

## Sinks & Troughs



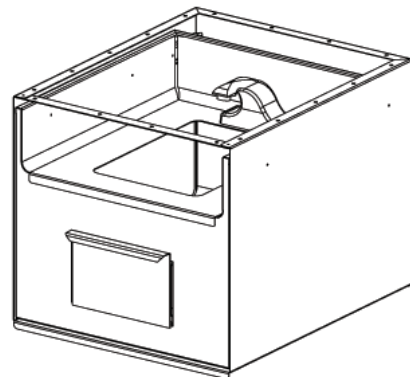
BSI 

# BRASS SMITH DRAIN

## Bringing clean to a new level.

We offer a complete line of Hand Sinks, Drains, and Floor Troughs. Made to NSF Standards our stainless steel products are made for easy cleanup and ease of use, what ever your needs may be.

Sink options include standing units or drawer style; single or multiple faucets; single or multiple basins; integrated hot water heaters; sinks with soap and towel dispensers, trash cans or combinations what ever your need be; units with one, two or no handles. We offer units with electronic motion detectors to dispense water for handwashing. This will eliminate the possible transfer of dirt and germs.



# GE SOLUTIONS GUIDE

## Drain Tech Featured Highlights

### SINKS

- NSF Standard 2 Construction
- 18 gauge Type 304 Stainless Steel Hand Sink and Body Panels
- 14 gauge Type 304 Stainless utility sink top, tub and front splash panel
- fully welded support structure

### TROUGHS

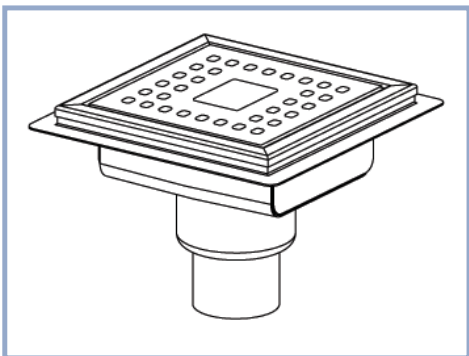
- NSF Standard 2 Construction
- 14 gauge brushed finish type 304 stainless
- removable perforated stainless basket
- coved corner pan



## Back of the House

In addition to our exclusive line of sinks, we offer several models of floor troughs. Also built to NSF Standard 2 construction, troughs are 14 gauge brushed finish Type 304 stainless steel. Grate types are offered in multiple sizes as well as multiple materials including anti-slip fiberglass or stainless and their finish can be brushed, mirror or anti-slip.

All troughs are built with true positive pitch towards drain and can be built to any size or shape. Removable grates provide easy access to periodic cleaning.



**BSI, LLC**

**1.800.662.9595**

**[WWW.BSIDESIGNS.COM](http://WWW.BSIDESIGNS.COM)**

