



Z G U A R D F O O D S H I E L D S



THIS PRODUCT MUST BE INSTALLED IN ACCORDANCE WITH THE APPLICABLE INSTALLATION CODE BY A PERSON FAMILIAR WITH THE CONSTRUCTION AND OPERATION OF THE PRODUCT AND THE HAZARDS INVOLVED.

INTRODUCTION

This Owner's Manual can be used as a guide to understanding the inner-workings of BSI's ZGuard Food Shields. The following content includes a detailed look at the basic food shield in these areas:

1. Basic Parts of a Food Shield
2. Proper Method of Adjusting the Glass
3. Glass Limitations
4. Cleaning Instructions
5. Ordering Replacement Parts
6. Light and Warmer Manual
7. Brass Smith Warranty

BASIC PARTS OF A FOOD SHIELD

Fig. 1 shows the basic components of the ZG9500.

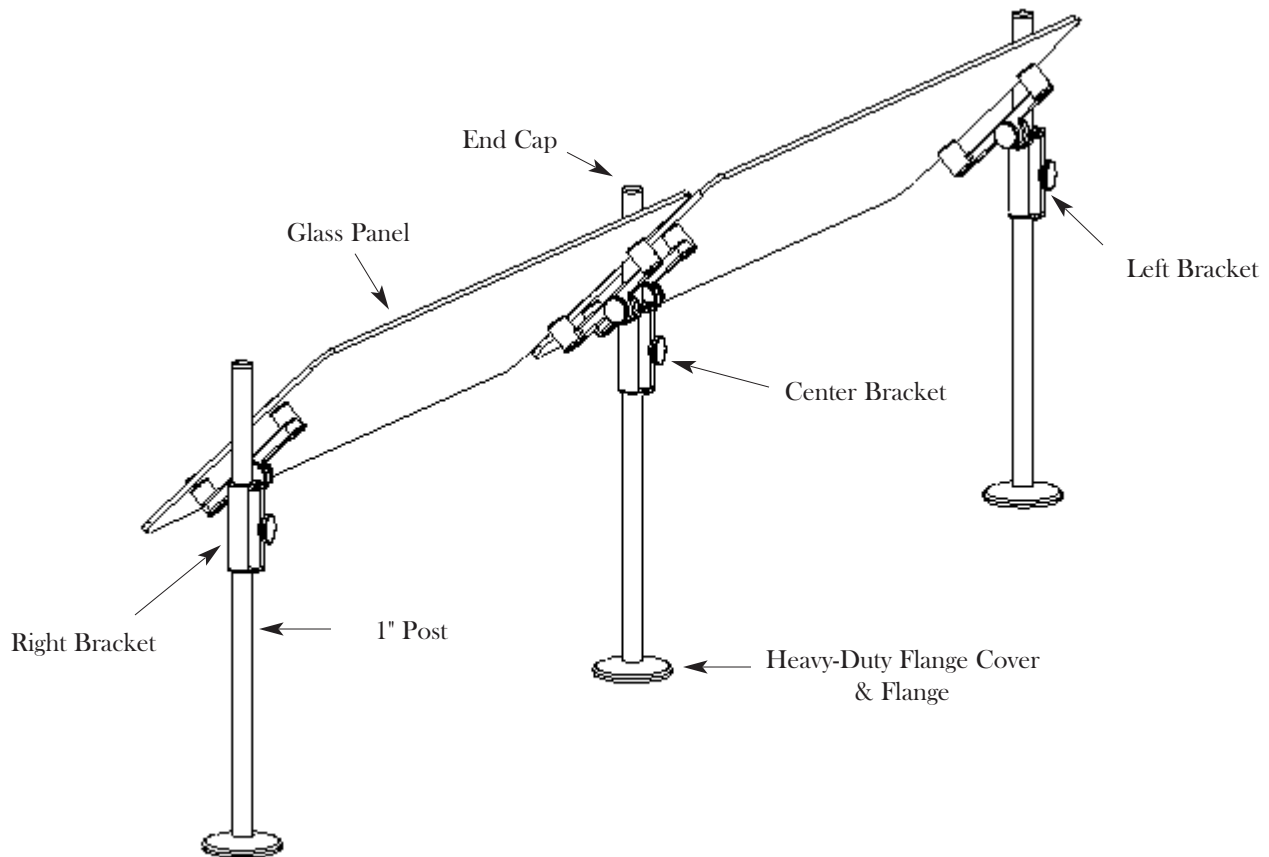
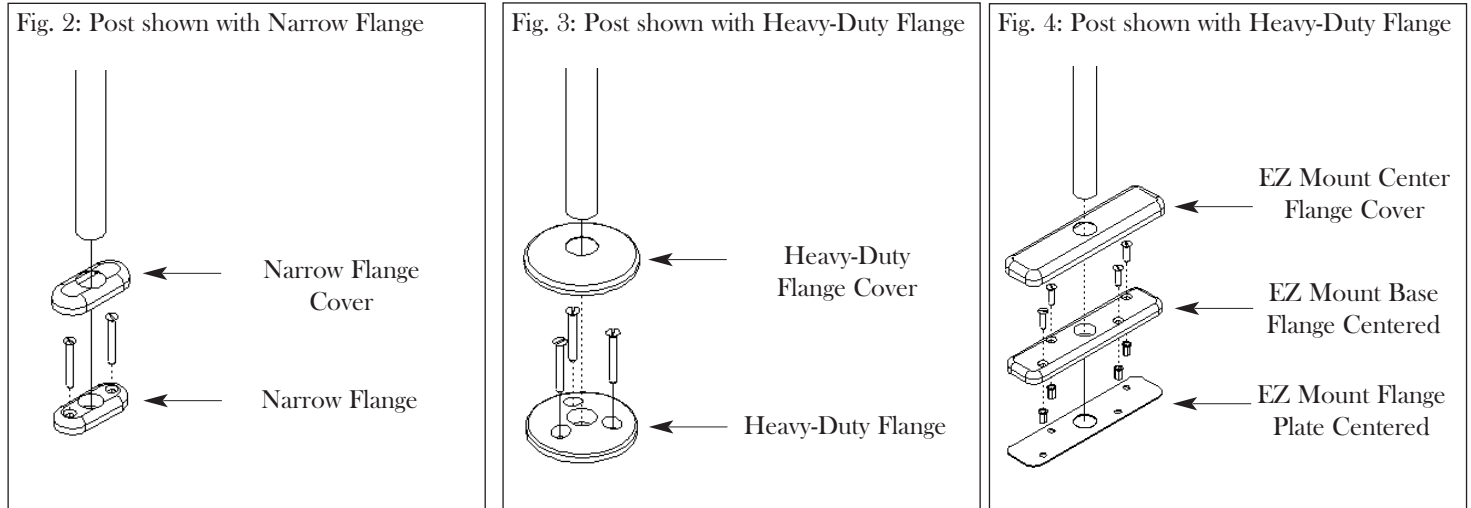


Fig. 1: ZG9500

PARTS: MOUNTING

Above-Counter Examples



Part #	Part Name
378	Narrow Flange
465	Narrow Flange Cover

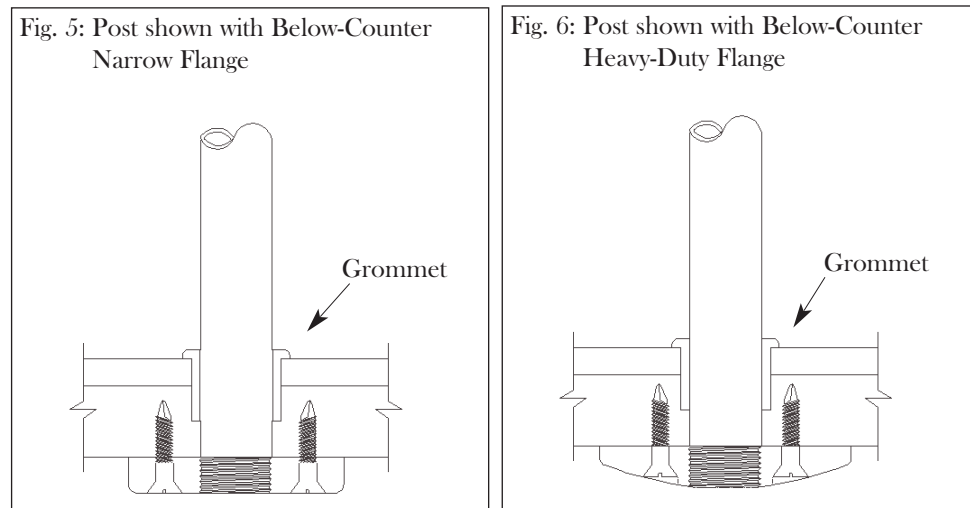
Part #	Part Name
471	Heavy-Duty Flange
464	Heavy-Duty Flange Cover

Part #	Part Name
485	EZ Mount Centered Flange Cover
470	EZ Mount Base Flange Centered
473	EZ Mount Flange Plate Centered

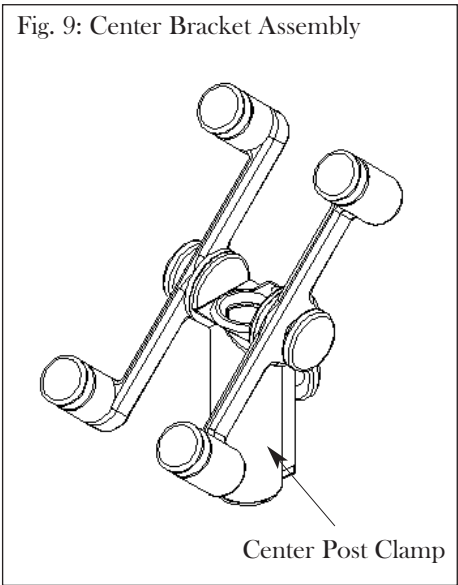
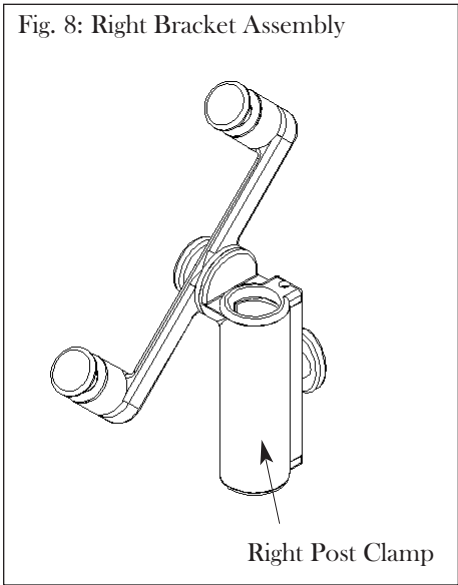
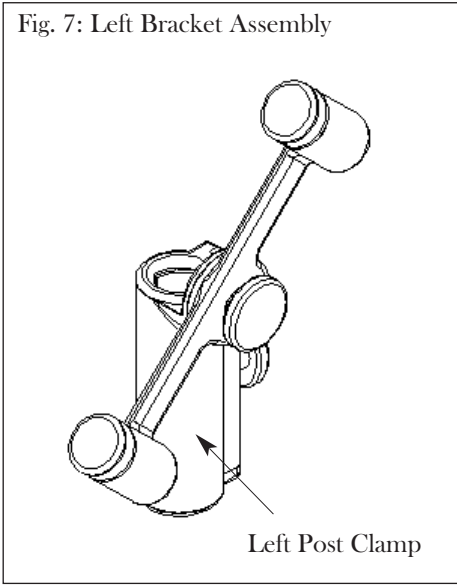
*Please designate finish/color when ordering.

Below-Counter Examples

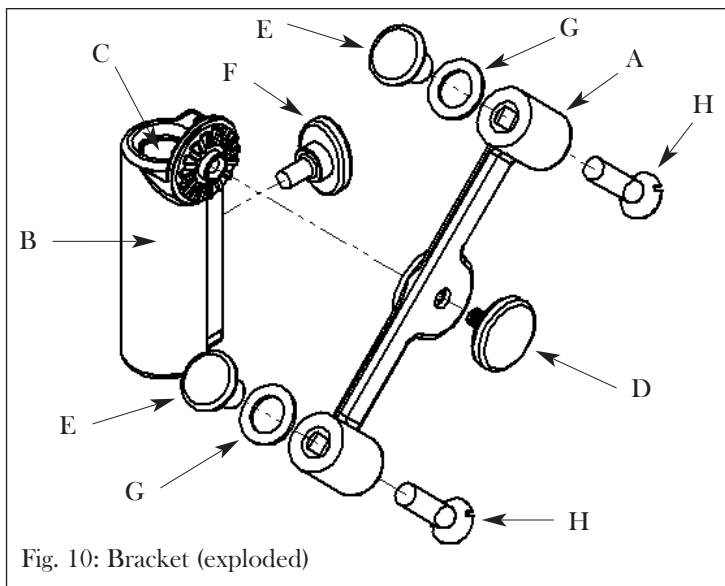
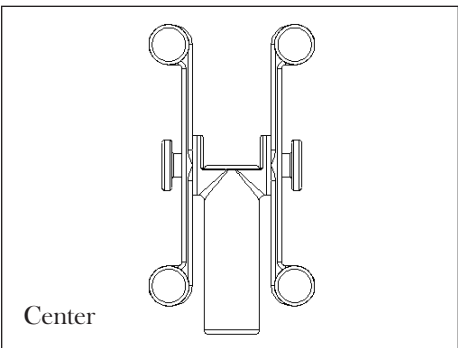
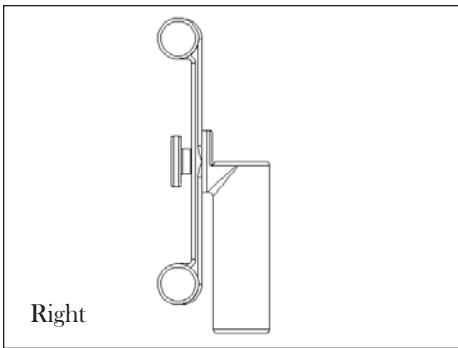
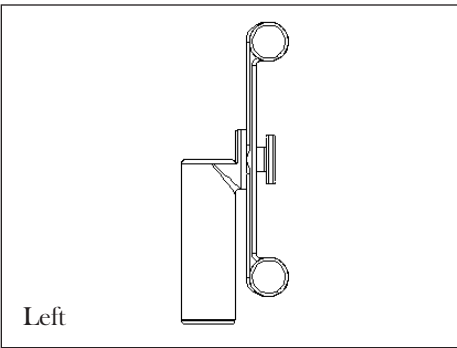
For below-counter mounting, a 1-1/4" grommet is required (Part # 442).



PARTS: BRACKETS

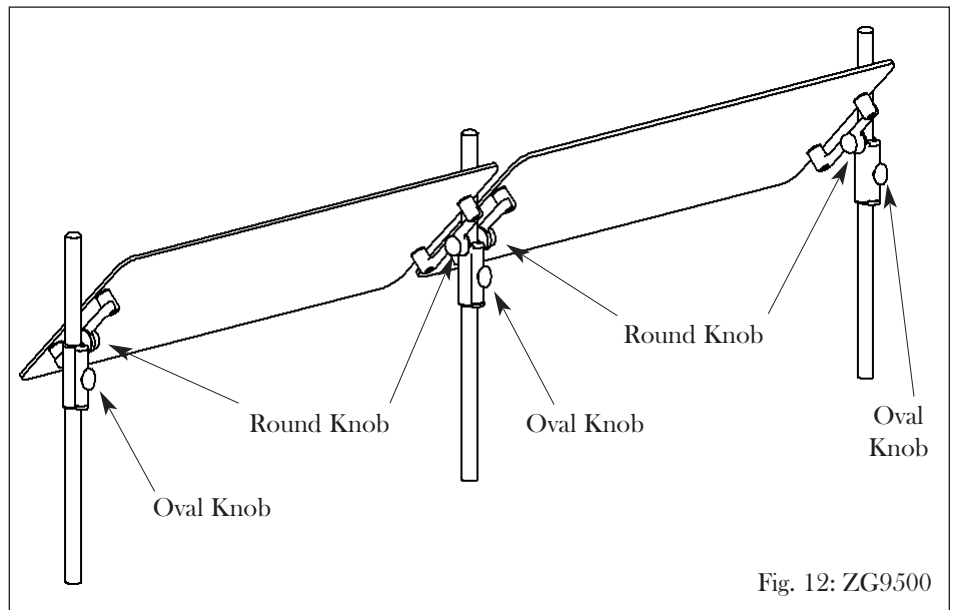
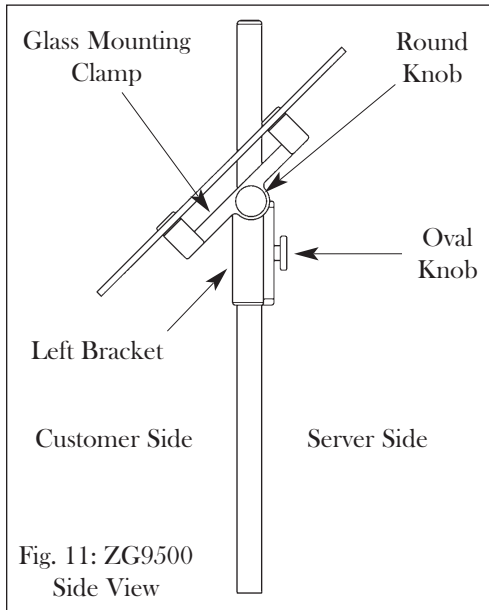


Front Perspectives



LOCATION	PART #	PART NAME
Fig. 7	553	Left Bracket Assembly
Fig. 8	555	Right Bracket Assembly
Fig. 9	554	Center Bracket Assembly
A	321	Glass Mounting Clamp
B	322, 323, 424	Post Clamp (Left, Right, Center)
C	324	Post Clamp Insert
D	326	Round Knob
E	336	Decorative Nut (includes screws)
F	457	Oval Knob
G	484	Spacer
H	Included w/Part #336	Screws

PROPER METHOD OF ADJUSTING THE GLASS



GLASS & BRACKET POSITION

The angle of the glass panels can be tilted forward or backwards. The brackets can be raised or lowered. As detailed in Fig. 11, the bracket's Oval Knob is on the Server Side. The bracket's Round Knob, which holds the Glass Mounting Clamp in place, faces the food.

GLASS ANGLE (TILT)

To properly adjust the angle of the glass it may be helpful for there to be one person for every bracket.

Glass is shipped in the vertical position at its lowest height. Before adjusting glass be sure shield is properly mounted to counter, wall or ceiling. Glass angle is controlled by the Round Knob located on the bracket. To change the angle of the glass firmly hold the glass in one hand while turning the knob in a counter-clockwise direction to loosen.

Caution: Too many revolutions will cause the knob to fall out and the glass susceptible to separation from the bracket.

Once loosened on both sides, tilt glass to desired angle, then properly tighten knobs in clockwise direction.

GLASS HEIGHT

To properly adjust the height of the glass it may be helpful for there to be one person for every bracket.

With glass at desired angle, loosen (counter-clockwise direction) Oval Knobs on the back of the brackets.

Caution: Too many revolutions will cause the knob to fall out and the bracket susceptible to sliding down the length of the post.

Once knobs are loosened on both sides, raise the glass to desired height, then tighten knobs in clockwise direction.

Use a level to properly balance the full length of the glass.



GLASS LIMITATIONS

WEIGHT LIMITS

ZGuard food shield systems that are equipped with a shelf are not intended to withstand heavy weights. Glass shelves can certainly hold small display items.

TESTING PARAMETERS

Food Shield:	ZG9500 (glass panel positioned at 90 degrees to post)
Posts & Brackets:	Brushed Aluminum
Glass:	3' x 14" (3/8" thick)
Mounting:	Above Counter
Time:	24 hours

RECOMMENDATION

Do not exceed 75lbs. total weight of all display items across a three foot panel of 3/8" glass.

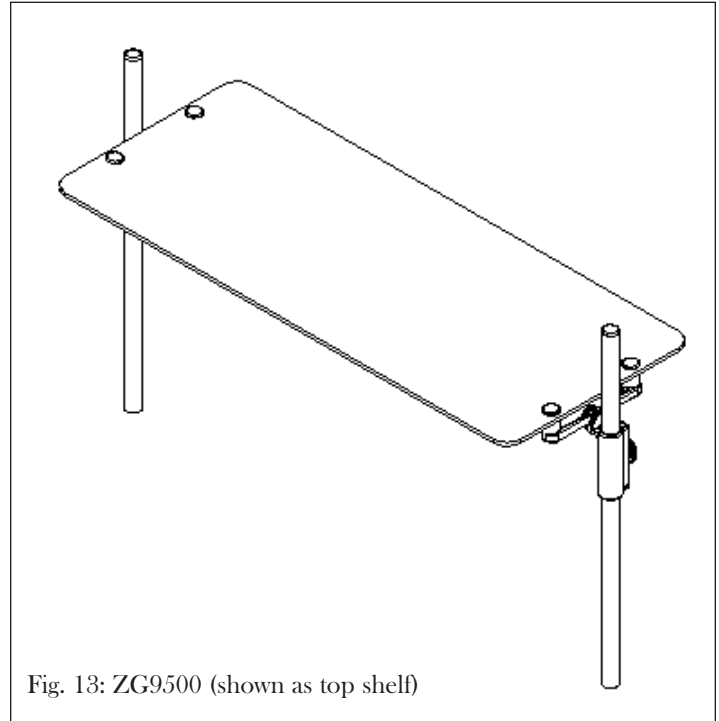


Fig. 13: ZG9500 (shown as top shelf)

CLEANING INSTRUCTIONS

DO

- Do wipe the surface with a clean damp cloth to remove fingerprints, dust, etc.
- Do spray with a light coating of glass cleaner to remove grease or other dirt. Use a non-ammonia cleaner.

DON'T

- Don't polish ZGuard with any brass polish. Your ZGuard has a durable finish and will maintain its finish for years if well maintained. (Polishing the finish with a polishing agent of any kind will destroy the coating).
- Don't scrub the surface with any abrasive substance such as steel wool, pot scrubbers, Ajax cleanser, Comet or similar products, as it will remove the protective coating.
- If unit is fitted with a stealth warmer, don't clean the glass or housing fixtures when warmer is hot. Cleaning when warmer is hot can cause staining or damage to food warmer finish.

ORDERING REPLACEMENT PARTS

In case of damaged parts please call our Customer Service Department at 1-800-662-9595.

If you have any other maintenance questions concerning ZGuard, please contact our Customer Service Department Monday thru Friday 8:00am to 4:30pm MST at 1-800-662-9595