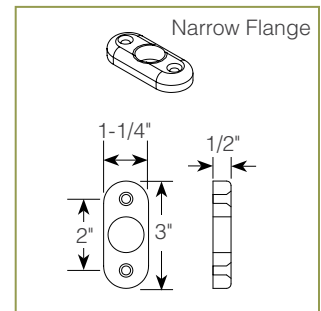
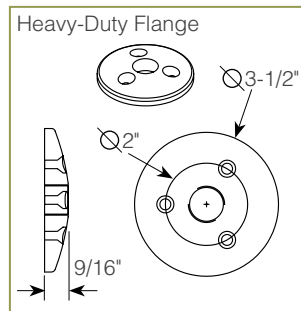
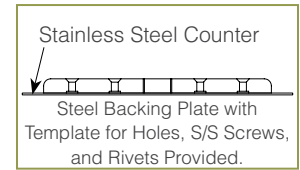
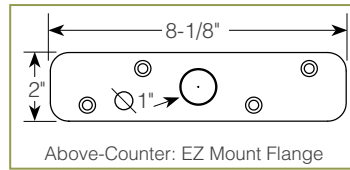
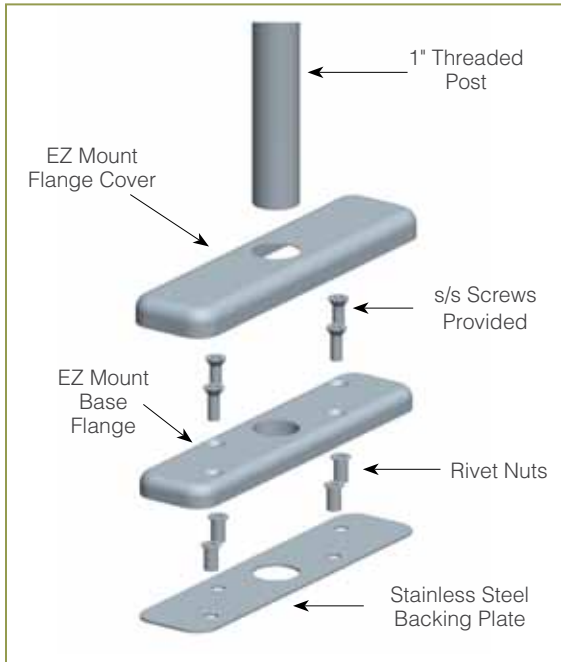
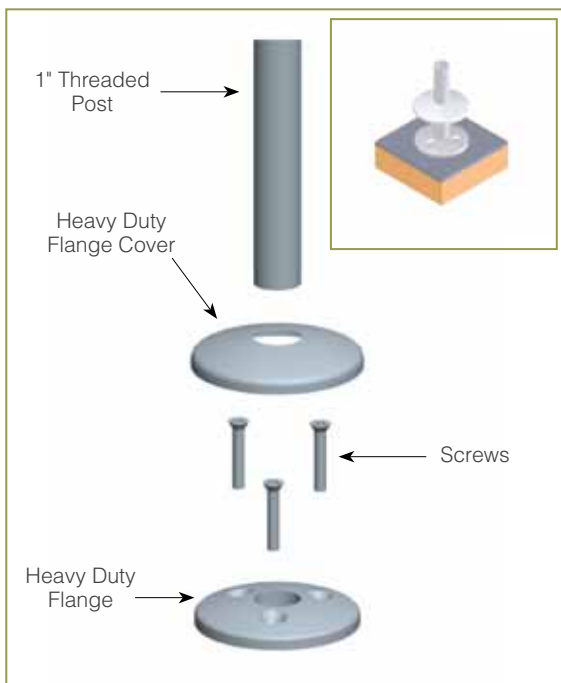


## ABOVE-COUNTER INSTALLATION FOR 1" ZGUARD POSTS

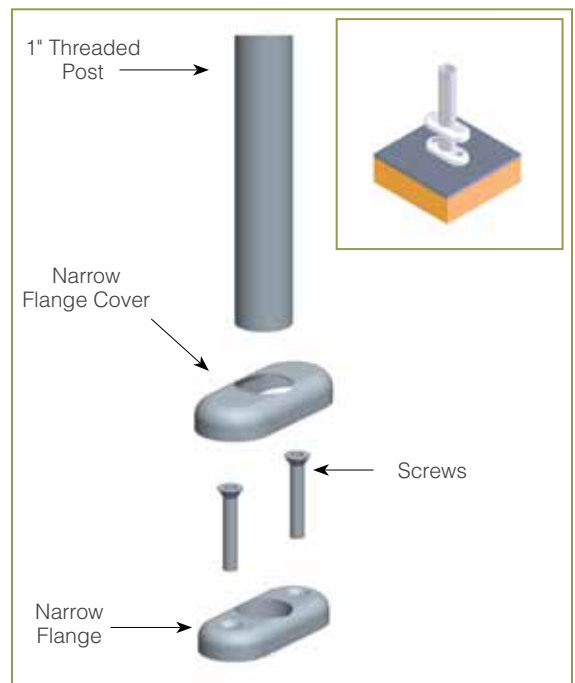
**For Stainless Steel Counter**  
**SS1: EZ Mount 2" x 8" Flange**



**For Millwork Counter**  
**MW1: Heavy Duty Flange**



**For Millwork Counter**  
**MW2: Narrow Flange**

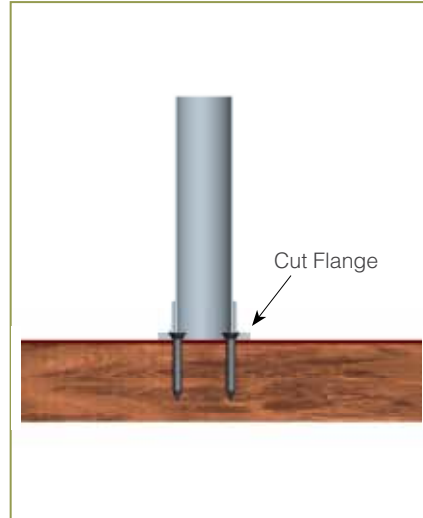


## ABOVE-COUNTER INSTALLATION FOR 1-1/2" ZGUARD POSTS

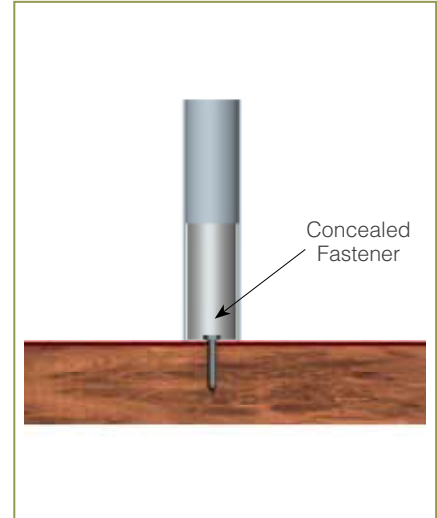
For Millwork Counter  
**Surface Installation 720A/726A:**  
 Steel Post and Flange w/Flange Cover



For Millwork Counter  
**Surface Installation 725A:**  
 Cut Flange

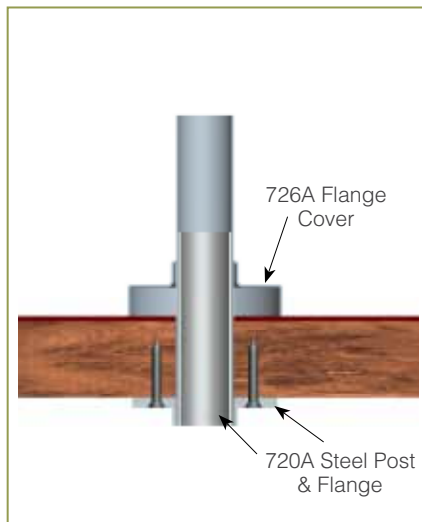


For Millwork Counter  
**Concealed Fastener**  
 (not for cantilever units)



## UNDER-COUNTER INSTALLATION FOR 1-1/2" ZGUARD POSTS (requires under-counter reinforcement and access)

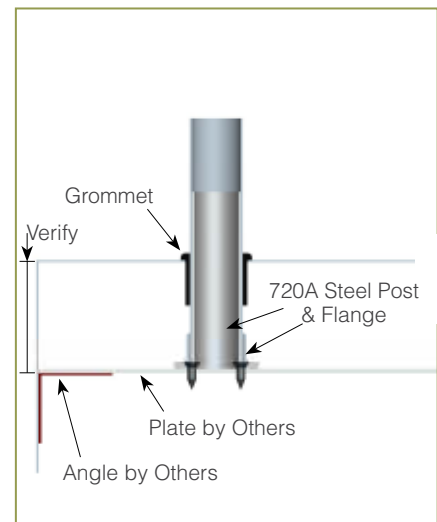
Under-Counter Installation 720A/726A:  
 Steel Post and Flange w/Flange Cover



Under-Counter Installation 720A:  
 Steel Post and Flange w/out Flange Cover



Under-Counter Installation 725A:  
 Narrow Custom Flange



## FLANGE AND FLANGE COVER DIMENSIONS

